



4V2AH



Features:

- ▲ Maintenance-free operation
- ▲ Stable quality and high reliability
- ▲ Compact design
- ▲ 10 years design time (at 25°C)

Applications:

- ♣ UPS
- ♣ Emergency lighting
- ♣ Solar panel system
- ♣ Alarm and security system
- ♣ Telecommunication system
- ♣ Fire alarm and security systems
- ♣ DC power supply Auto control system
- ♣ Backup power for testing and measuring instruments
- ♣ Electronic apparatus and equipment Communication power supply
- ♣ etc

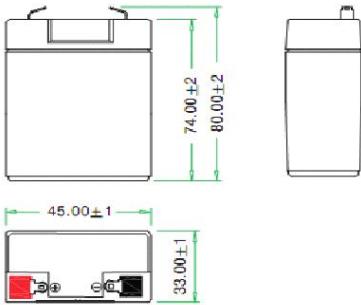
Specifications:

Type	Specification
Nominal Voltage	4v(6cells)
Nominal Capacity	2ah (20hrs, 1.80v/cell, 25°C/77°F)
	1.8ah (10hrs, 1.75v/cell, 25°C/77°F)
	1.7ah (5hrs, 1.75v/cell, 25°C/77°F)
	1.2ah (1hrs, 1.60v/cell, 25°C/77°F)
Dimension	Length: 45±2mm
	Width: 33±2mm
	Container Height: 74±2mm
	Total Height(with Terminal):80±3mm
Approx Weight	0.235kg
Terminal	F1
Container material	ABS
Internal Resistance	Approx 35mΩ
Operation Temp.Range	Discharge:-15-50°C(5-122°F)
	Charge: 0-40°C(32-104°F)
	Storage: -15-40°C(5-104°F)
Nominal Operating Temp.Range	25±3°C(77±5°F)
Cycle Use	4.8V-5.0V(25°C/77°F) Coefficient:30mv/°C (Initial charging current less than 0.6A)
Standby Use	4.5V-4.6V(25°C/77°F) Coefficient:20mv/°C (No limit on Initial Charging Current)
Capacity affected by Temp.	103% 40°C(104°F)
	100% 25°C(77°F)
	86% 0°C(32°F)

Self Discharge:

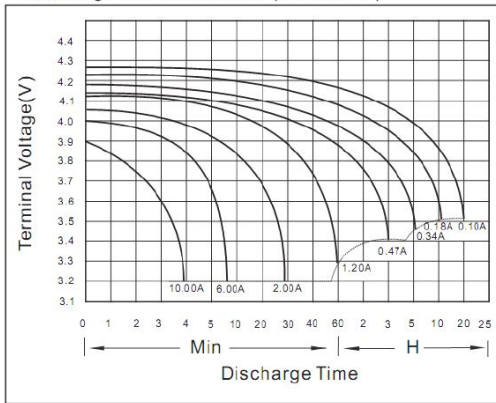
KANGLIDA batteries may be stored for up to 6 months at 25°C (77°F) and then a refreshing charge is required, for higher temperatures the time interval will be shorter.

• Outer dimensions(mm)

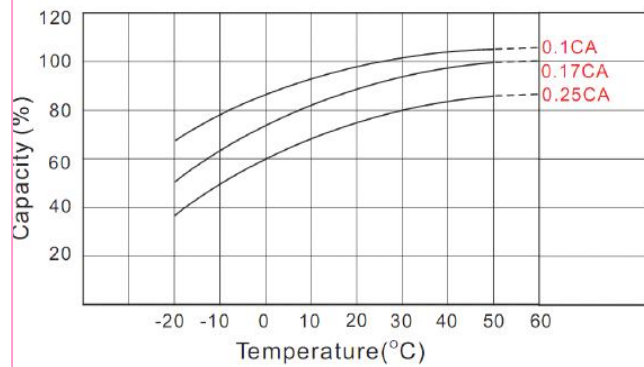


Characteristics:

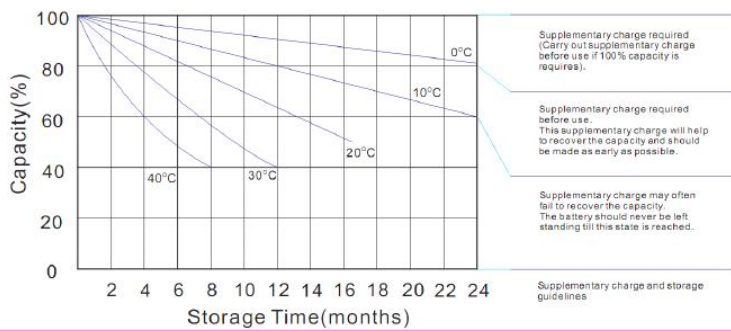
• Discharge Characteristics (25°C/77°F)



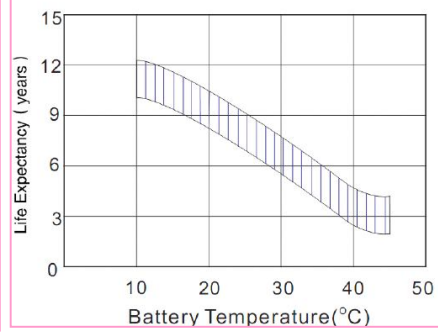
Temperature Effects in Relation to Battery Capacity



Storage characteristics



Effect of temperature on long term float life



Maintenances and Attentions:

1. After received product, please checked box damaged or not, if find crack on battery body, contact with us and logistics, it should be caused by boorish handle during delivery;
2. Don't pull or shake terminal, otherwise, it may cause terminal loosen;
3. Battery is not allowed close to Tepid source or basked under the sun for a long time;
4. Charge in the obturate container is not allowed;
5. No short circuit. Battery should be stored full of electronic when not in need, and the battery should be charged every three months in order to avoid the irreversible sulphation. When battery case bursts or electrolyte leaks, battery should be changed lest the acid corrosion.
6. No battery in environment with the acid gas.
7. When battery is used as the backup battery, be careful and check it at regular time to avoid the damage battery. Especially the battery beyond one year should be checked in time, and change the less capacity and scrapped battery. (some batteries maybe have voltage but no current; some batteries maybe have current but no voltage; some maybe have both but less capacity: all these conditions cannot meet the work, reach the power-on time. Do not forth small battery, cause the huge losses)
8. Forbidden put battery in the fire, otherwise it will cause an explosion.
9. When battery cracks or leaks, please use cotton cloth clean it. When skin contacts to the liquid, wash with fresh water immediately. See doctor if serious.
10. No wash on the surface of the battery with the organic solution.

康利达国际控股集团有限公司 **KANGLIDA INTERNATIONAL HOLDING GROUP CO., LTD**

郑州康利达电子电源有限公司 **Zhengzhou Kanglida electronic power Co., LTD**

<http://www.cnbattery.cn> Fax: 86-371-68786444

<http://www.kldzdy.com> Tel: 86-371-6876444/55628530-816